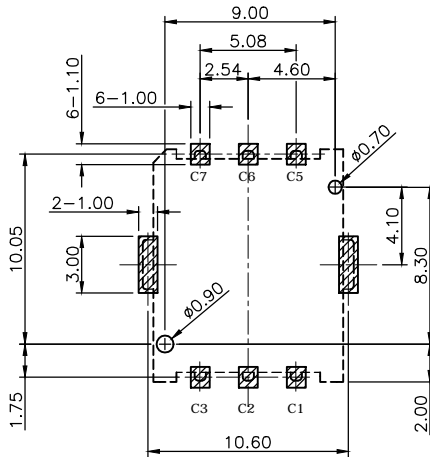
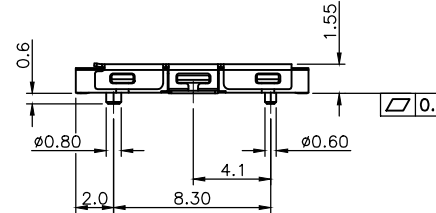
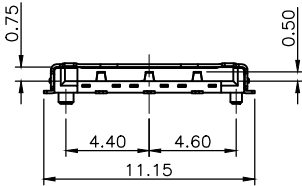
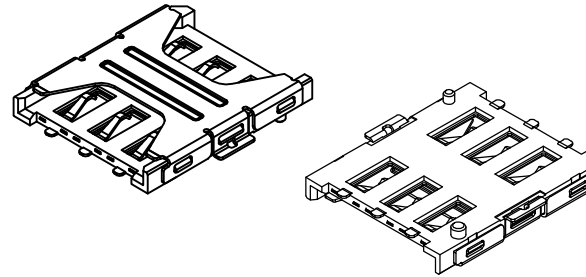
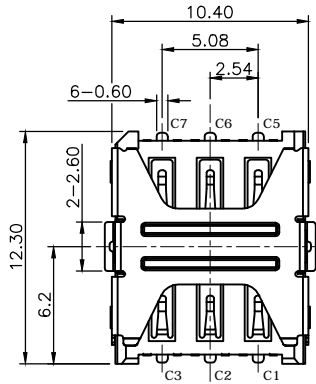
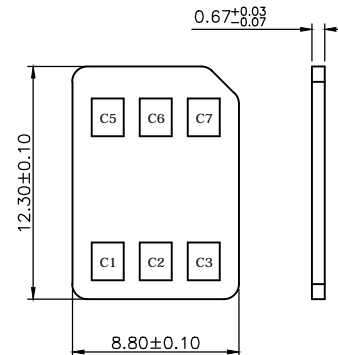


REV.	DESCRIPTION	DRAWN	DATE
1	INITIAL RELEASE	TIM	2023/11/10



Recommended PCB layout (top view)
General tolerance: $\pm 0.05\text{mm}$



Nano SIM Card

Pin out

Pin NO.	Pin Name
C 1	VCC
C 2	RST
C 3	CLK
C 5	GND
C 6	VPP
C 7	I/O

SPECIFICATION:

1. ELECTRICAL
 - 1.1 Current Rating: 0.5A per pin
 - 1.2 Voltage Rating: 10V DC
 - 1.3 Contact Resistance: 100mΩ
 - 1.4 Insulation Resistance: 1000MΩ
 - 1.5 Dielectric Withstanding Voltage: 500VAC
2. MECHANICAL
 - 2.1 Durability: 1500 cycles
 - 2.2 Contact Normal Force: 0.3N min. per pin
3. ENVIRONMENTAL
 - 3.1 Operating temperature range: $-40^{\circ}\text{C} \sim +85^{\circ}\text{C}$
 - 3.2 Storage temperature range: $-40^{\circ}\text{C} \sim +85^{\circ}\text{C}$
4. SOLDER ABILITY
 - 4.1 Recommended IR-Reflow Temperature: 260°C

3	SHELL	Stainless steel, Nickel plating	
2	CONTACT	Copper alloy, Gold plating over Nickel	
1	HOUSING	High Temperature Thermoplastic, Black	
NO.	PART NAME	DESCRIPTION	
UNLESS OTHERWISE SPECIFIED TOLERANCE			
UNIT:	DECIMAL	LINEAR	ANGLES
	mm	X. ±0.50	±5°
		X.X ±0.25	±3°
		X.XX ±0.12	±1°
DRAWN		Tim	2023/11/10
CHECKED		Fros	2023/11/10
APPROVED		Ken	2023/11/10
SCALE		SHEET	SIZE
2.5/1		1/1	A4
DRAWN NAME:		Nano SIM Socket, 6 Pin, Push Pull	
CHECKED NAME:		1.5H, with Peg, G/F, Reel	
APPROVED NAME:		PRODUCT NO.	115U-A004
FILE NAME		115U-A004_B_1	



www.attend.com.tw