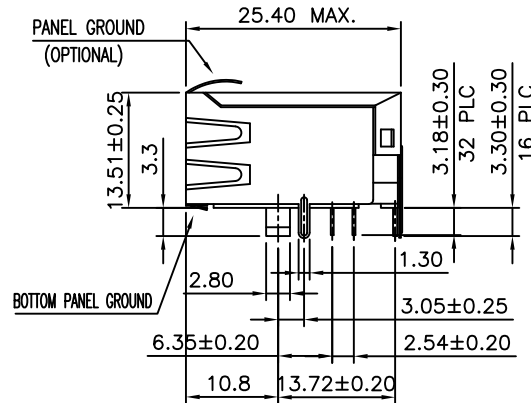
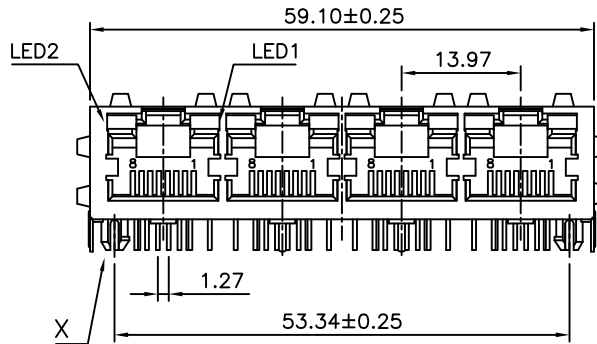


SWITCH CIRCUIT

MATERIAL AND FINISH AS BELOW

A	Housing	PBT UL94V-0 Black	E
B	Contact	Phosphor Bronze C5191, Contact Area: 5u" Gold	F
C	Shell	Brass C2680, Nickel Plating	G
D			H



PRODUCT NUMBER:
213A-14 C X X RA14
1 2 3 4

SPECIFICATION:

- No. of Contact
14:1X4
- Contact Plating
C:5u" Gold Plating
- EMI Tab
A:with EMI Tab
B:without EMI Tab
- LED
A:Y(LED2)+G(LED1)

1. ELECTRICAL

- 1.1 Current Rating: 1.5A per pin**
- 1.2 Voltage Rating: 125V DC per pin**
- 1.3 Contact Resistance: 50mΩ**
- 1.4 Insulation Resistance: 1000MΩ**
- 1.5 Dielectric Withstanding Voltage: 1000VAC**

2. MECHANICAL

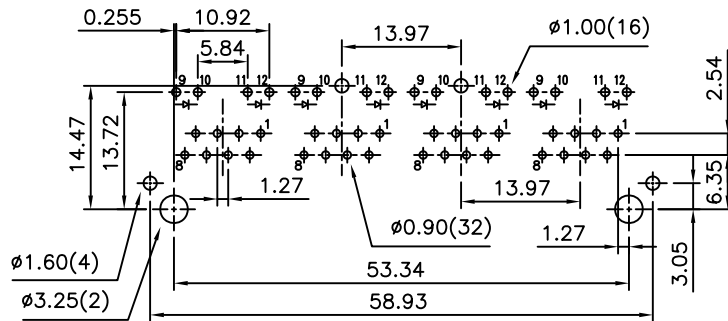
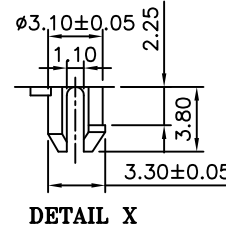
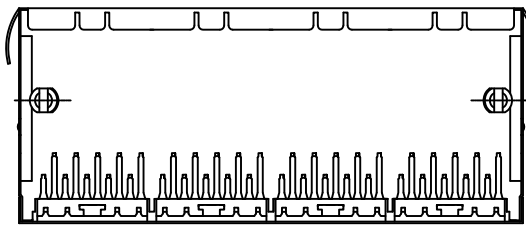
- 2.1 Durability: 750 Cycle**

3. ENVIRONMENTAL

- 3.1 Operating temperature range: -40°C ~ +85°C**
- 3.2 Storage temperature range: -40°C ~ +85°C**

4. SOLDER ABILITY

- 4.1 Wave Soldering Temperature: 260°C**
- 4.2 Recommended PCB Thickness: 1.6mm**



PCB LAYOUT

P1	P2	P3	P4	P5	P6	P7	P8	P9	P10	P11	P12
----	----	----	----	----	----	----	----	----	-----	-----	-----

PIN ASSIGNMENT

213A-14CX-RA14	RJ45 1X4 Jack Magnetic Type, Contact Area: 5u" Gold Plating
----------------	---

PRODUCT NO.	DESCRIPTION
-------------	-------------

UNLESS OTHERWISE SPECIFIED TOLERANCE		
ANGLES	ANG.	±5°
LINEAR	0.	±0.3
	0.0	±0.25
	0.00	±0.20
SCALE	AS SHOWN	UNIT: mm
DRAWN	Willis	2013/06/13
CHECKED	Angel	2013/06/13
APPROVED	Ken	2013/06/13



www.attend.com.tw

DRAWN NAME:
RJ45 1X4 Jack Magnetic Type

PRODUCT NO. 213A-14 C X A-RA14

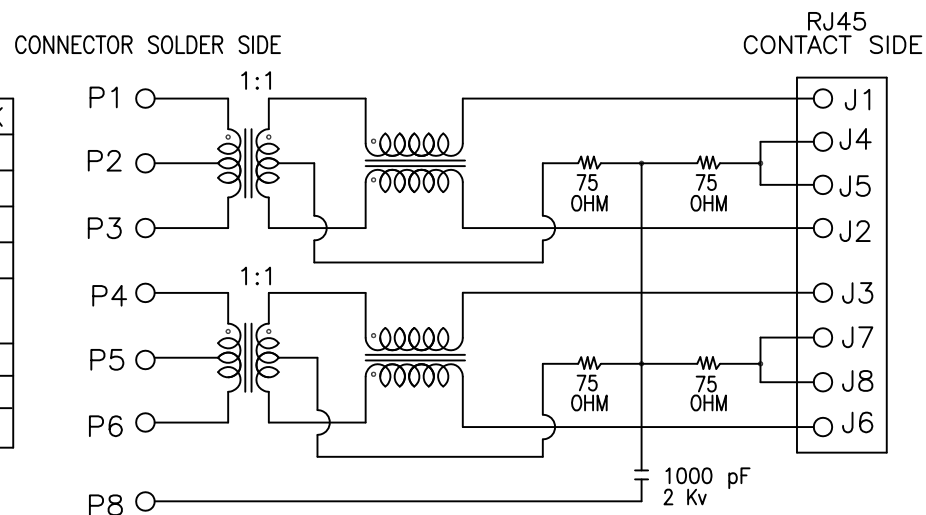
REV.	DESCRIPTION	DATE	REV.	DESCRIPTION	DATE
1			4		
2			5		
3			6		

SIZE	A4	REV.	1.0	FILE NAME	213A-14CX-RA14_B_1
------	----	------	-----	-----------	--------------------

Specification :

Item	Parameter	Condition	Min.	Typ.	Max.	Unit	REMARK
1	Insertion loss	1-100 MHz			-1	dB	
2	Return loss	1-30 MHz	-20			dB	
		30-60 MHz	-15			dB	
		60-80 MHz	-12			dB	
3	Primary Inductance @100KHz, 0.1Vrms, 8mA DC BIAS	(J1-J2), (J3-J6)	350			μH	
4	Crosstalk	1-100 MHz	-35			dB	
5	Hipot	Vrms	1.5			kV	
6	COMMON MODE REJECTION	1-100 MHz	-35			dB	

* OPERATING TEMPERATURE RANGE: 0°C TO +70°C.



CONNECTOR SCHEMATIC

REV.	DESCRIPTION	DATE	REV.	DESCRIPTION	DATE	SIZE	REV.	FILE NAME
1						A4	1.0	213A-14CXA-RA14_B_1

UNLESS OTHERWISE SPECIFIED TOLERANCE			www.attend.com.tw		
ANGLES	ANG.	±5°	DRAWN NAME: RJ45 1X4 Jack Magnetic Type		
LINEAR	0.	±0.3			
	0.0	±0.25			
SCALE	AS SHOWN	UNIT: mm	PRODUCT NO. 213A-14 C X A-RA14		
DRAWN	Willis	2013/06/13			
CHECKED	Angel	2013/06/13			
APPROVED	Ken	2013/06/13	FILE NAME 213A-14CXA-RA14_B_1		

