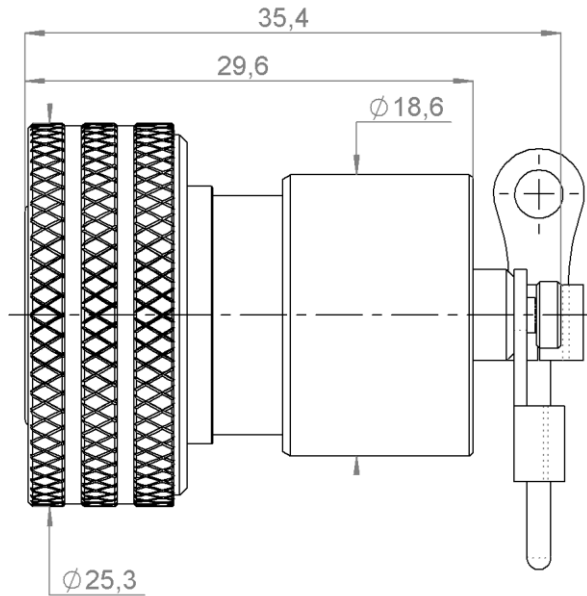
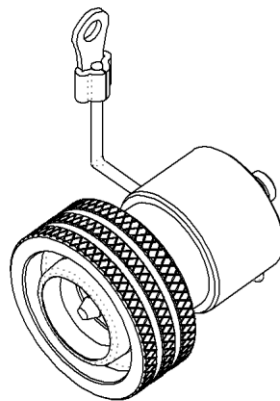
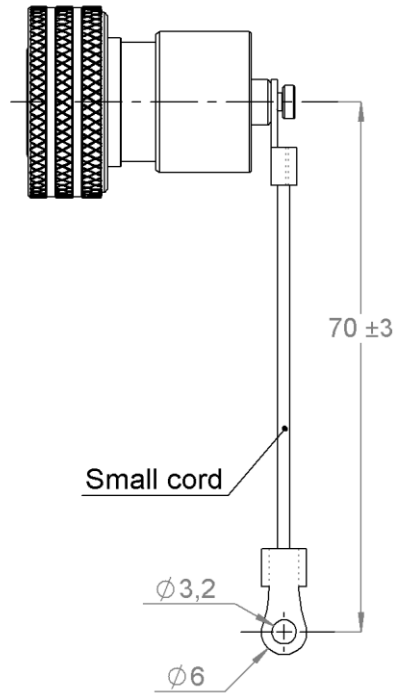


PAGE 1/2	ISSUE 24-08-18B	SERIES TERMINATION	PART NUMBER R4041D2121
----------	-----------------	------------------------------	-------------------------------

Scale 2 : 1

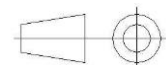


Scale 1 : 1



Scale 1 : 1

All dimensions are in mm. Tolerances according ISO 2768 m-H



COMPONENTS	MATERIALS	PLATING (µm)
Body	BRASS	NICKEL 2
Center contact	BERYLLIUM COPPER	GOLD 0.5 OVER NICKEL 2
Outer contact		
Insulator	PTFE	
Gasket	EPDM	
Substrate	ALUMINA	
Resistor	THICK FILM	
Others parts		

PAGE 2/2	ISSUE 24-08-18B	SERIES TERMINATION	PART NUMBER R4041D2121
----------	------------------------	------------------------------	-------------------------------

ELECTRICAL CHARACTERISTICS

Frequency (GHz)	DC - 6
V.S.W.R (\leq)	1.15

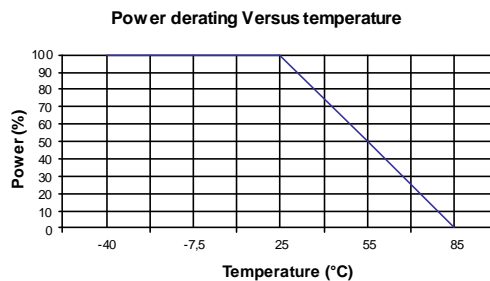
Operating Frequency Range	DC - 6	GHz
Impedance	50	Ω
DC Resistance	50	$\Omega \pm 5\%$
Peak power at 25°C (1 μ s, 1%)	500	W
Average power at 25°C	2	W (Free Air Cooled)
		W (Conduction Cooled)

MECHANICAL CHARACTERISTICS

Connectors	4.3-10	Male	IEC 60169-54
Weight	62,3400 g		

ENVIRONMENTAL CHARACTERISTICS

Operating temperature range	-40/+85	$^{\circ}\text{C}$
Storage temperature range	-40/+85	$^{\circ}\text{C}$



SPECIFICATION

OTHER CHARACTERISTICS

IP 67 when mated with suitable connector