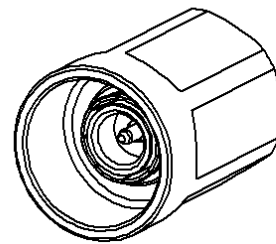
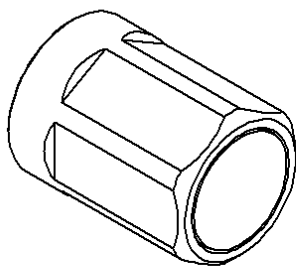
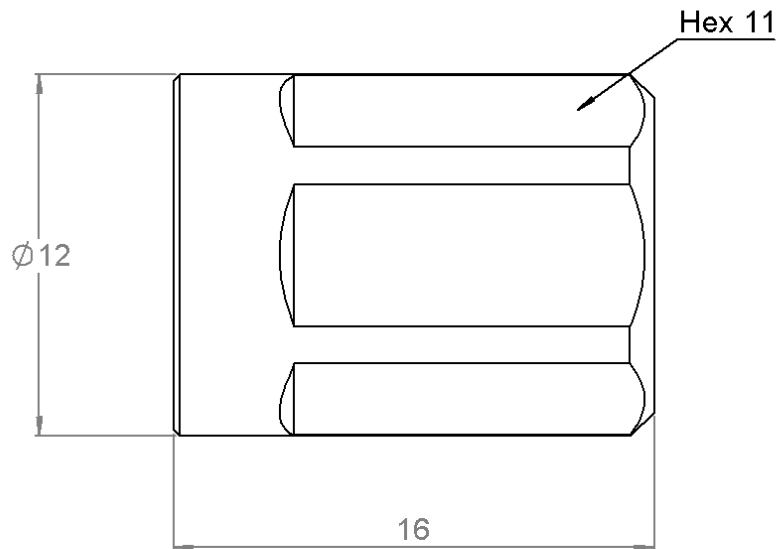


PAGE 1/2	ISSUE 19-10-17A	SERIES TERMINATION	PART NUMBER R4041E1000
----------	-----------------	------------------------------	-------------------------------



All dimensions are in mm. Tolerances ±0.5



COMPONENTS	MATERIALS	PLATING (µm)
Body	BRASS	NICKEL 2
Center contact	BRASS	GOLD 0.5 OVER NICKEL 2
Outer contact	BERYLLIUM COPPER	SILVER 5
Insulator	PTFE	
Gasket	SILICONE RUBBER	
Substrate	ALUMINA	
Resistor	THICK FILM	
Others parts		

PAGE 2/2	ISSUE 19-10-17A	SERIES TERMINATION	PART NUMBER R4041E1000
----------	-----------------	------------------------------	-------------------------------

ELECTRICAL CHARACTERISTICS

Frequency (GHz)	DC - 4
V.S.W.R (\leq)	1.15

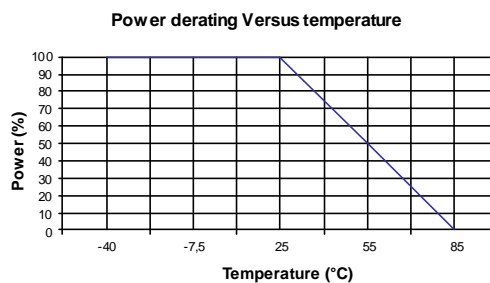
Operating Frequency Range	DC - 4	GHz
Impedance	50	Ω
DC Resistance	50	$\Omega \pm 5\%$
Peak power at 25°C (1 μ s, 1%)	100	W
Average power at 25°C	1	W (Free Air Cooled)
		W (Conduction Cooled)

MECHANICAL CHARACTERISTICS

Connectors	NEX10	Male	
Weight	7,8100 g		

ENVIRONMENTAL CHARACTERISTICS

Operating temperature range	-40/+85	°C
Storage temperature range	-40/+85	°C



SPECIFICATION

OTHER CHARACTERISTICS

IP 67 when mated with suitable connector