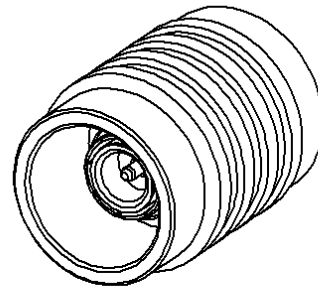
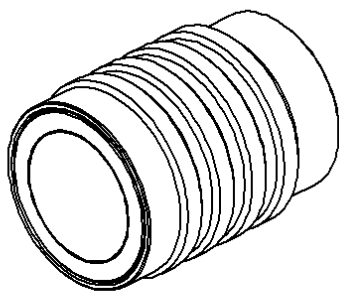
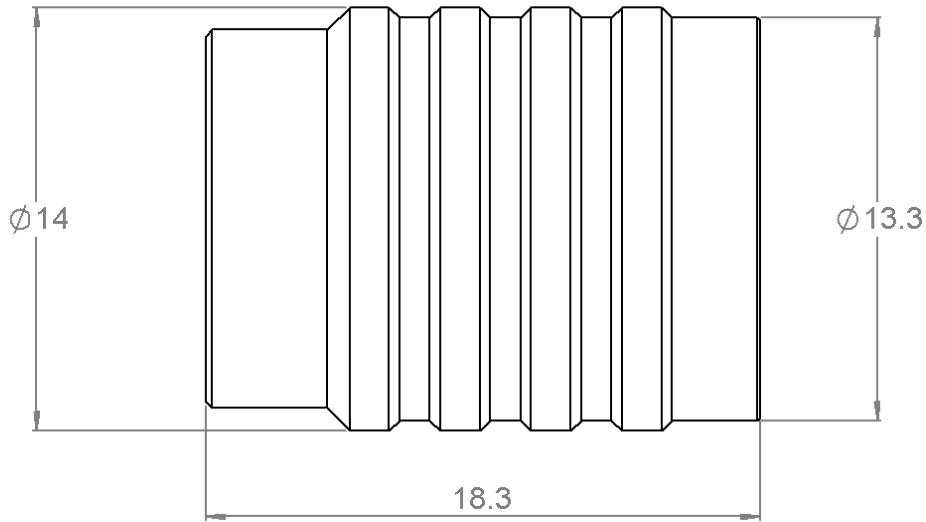
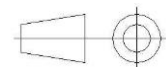


| | | | |
|----------|------------------------|------------------------------|-------------------------------|
| PAGE 1/2 | ISSUE 21-02-18A | SERIES TERMINATION | PART NUMBER R4041E2000 |
|----------|------------------------|------------------------------|-------------------------------|



All dimensions are in mm. Tolerances according ISO 2768 m-H



| COMPONENTS | MATERIALS | PLATING (µm) |
|----------------|-------------------------|-------------------------------|
| Body | BRASS | NICKEL 2 |
| Center contact | BRASS | GOLD 0.5 OVER NICKEL 2 |
| Outer contact | BERYLLIUM COPPER | SILVER 5 |
| Insulator | PTFE | |
| Gasket | SILICONE RUBBER | |
| Substrate | ALUMINA | |
| Resistor | THICK FILM | |
| Others parts | | |

| | | | |
|----------|------------------------|------------------------------|-------------------------------|
| PAGE 2/2 | ISSUE 21-02-18A | SERIES TERMINATION | PART NUMBER R4041E2000 |
|----------|------------------------|------------------------------|-------------------------------|

ELECTRICAL CHARACTERISTICS

| | |
|--------------------|---------------|
| Frequency (GHz) | DC - 4 |
| V.S.W.R (\leq) | 1.15 |

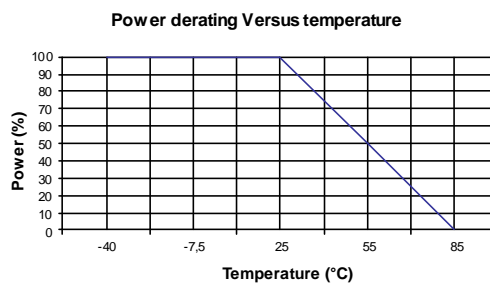
| | | |
|------------------------------------|---------------|-----------------------|
| Operating Frequency Range | DC - 4 | GHz |
| Impedance | 50 | Ω |
| DC Resistance | 50 | $\Omega \pm 5\%$ |
| Peak power at 25°C (1 μ s, 1%) | 100 | W |
| Average power at 25°C | 1 | W (Free Air Cooled) |
| | | W (Conduction Cooled) |

MECHANICAL CHARACTERISTICS

| | | | |
|------------|------------------|-------------|--|
| Connectors | NEX10 | Male | |
| Weight | 12,3100 g | | |

ENVIRONMENTAL CHARACTERISTICS

| | | |
|-----------------------------|----------------|----|
| Operating temperature range | -40/+85 | °C |
| Storage temperature range | -40/+85 | °C |



SPECIFICATION

OTHER CHARACTERISTICS

IP 67 when mated with suitable connector