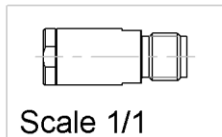
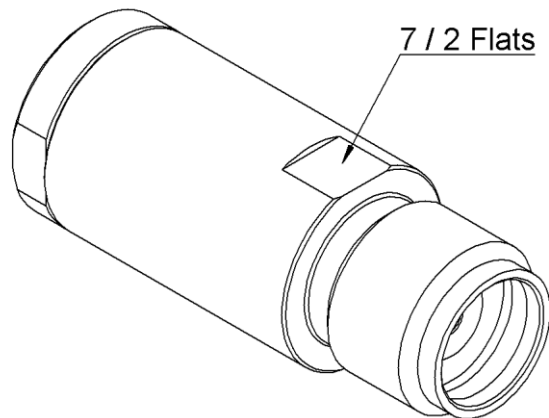
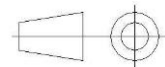


PAGE 1/2	ISSUE 23-10-19C	SERIES TERMINATION	PART NUMBER R404285000
----------	------------------------	------------------------------	-------------------------------



All dimensions are in mm. Tolerances according ISO 2768 m-H



COMPONENTS	MATERIALS	PLATING (µm)
Body	STAINLESS STEEL	PASSIVATED
Center contact	BERYLLIUM COPPER	GOLD 1.3 OVER NICKEL2
Outer contact		
Insulator	ULTEM	
Gasket		
Substrate	ALUMINA	
Resistor	THIN FILM	
Others parts		

PAGE 2/2	ISSUE 23-10-19C	SERIES TERMINATION	PART NUMBER R404285000
----------	------------------------	------------------------------	-------------------------------

ELECTRICAL CHARACTERISTICS

Frequency (GHz)	DC - 40
V.S.W.R (\leq)	1.35

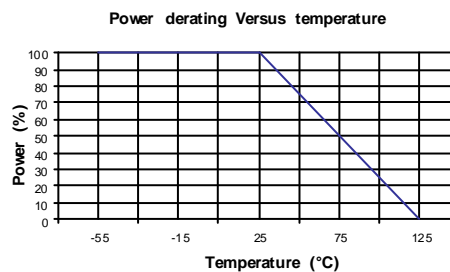
Operating Frequency Range	DC - 40	GHz
Impedance	50	Ω
DC Resistance	50	$\Omega \pm 5\%$
Peak power at 25°C (1 μ s, 1%)	100	W
Average power at 25°C	1	W (Free Air Cooled)
		W (Conduction Cooled)

MECHANICAL CHARACTERISTICS

Connectors	SMA 2.9	Female	MIL C 39012
Weight	4,9200 g		

ENVIRONMENTAL CHARACTERISTICS

Operating temperature range	-55/+125	$^{\circ}\text{C}$
Storage temperature range	-55/+125	$^{\circ}\text{C}$



SPECIFICATION

OTHER CHARACTERISTICS