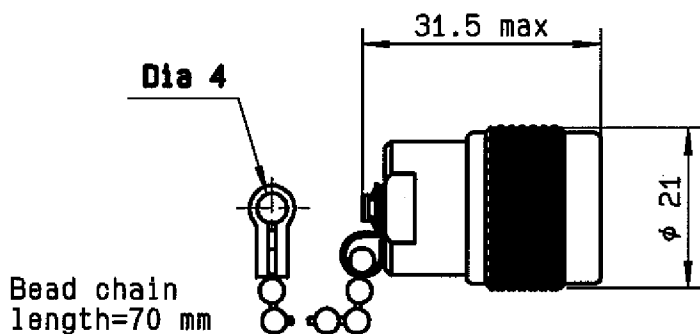


**TITLE:** 2 W 18GHZ N/Male COAXIAL TERMINATION

**LTR. F**

## DRAWING



General tolerances: +/- 0.5 mm

## ELECTRICAL CHARACTERISTICS

FREQUENCY RANGE	: DC - 18GHz
IMPEDANCE	: 50 Ohms
DC RESISTANCE	: 50 Ohms ± 5%
AVERAGE POWER HANDLING	: 2 W at 25°C
PEAK POWER HANDLING	: 100 W ( 1 μs, 1%.) at 25°C

V.S.W.R :	DC - 4 GHz	: <=1.08
	4 - 8 GHz	: <=1.10
	8 - 12.4 GHz	: <=1.15
	12.4 - 18 GHz	: <=1.20

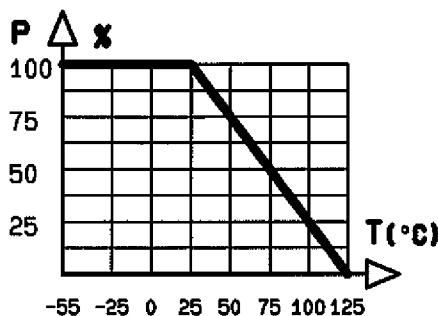
## MECHANICAL CHARACTERISTICS

CONNECTOR	: N male per MIL C 39012
MAXIMUM WEIGHT	: 52 grams

## ENVIRONMENTAL CHARACTERISTICS

OPERATING TEMPERATURE RANGE (°C)	: -55 , +125
STORAGE TEMPERATURE RANGE (°C)	: -55 , +125

Power derating  
Versus temperature



Tentative data subject to change without notice

<b>PEN</b> <b>95107</b>	QUALITY Dpt App.		F	DM 06-04-009	19.05.06	T.JL
			E	DM02-09-015 VIGNARD	05.11.02	JARRAND
			C	new format	09.10.92	PG
			B	new format	09.11.89	KL
<b>PAGE</b> 1 / 1	<b>DATE</b> 19.11.82	<b>NAME</b> DP	<b>LTR</b>	<b>REVISIONS</b>	<b>DATE</b>	<b>APP.</b>