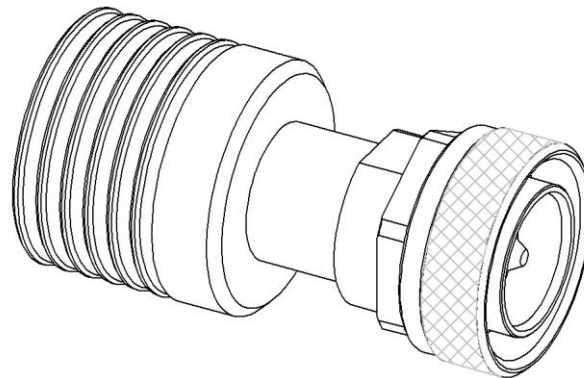
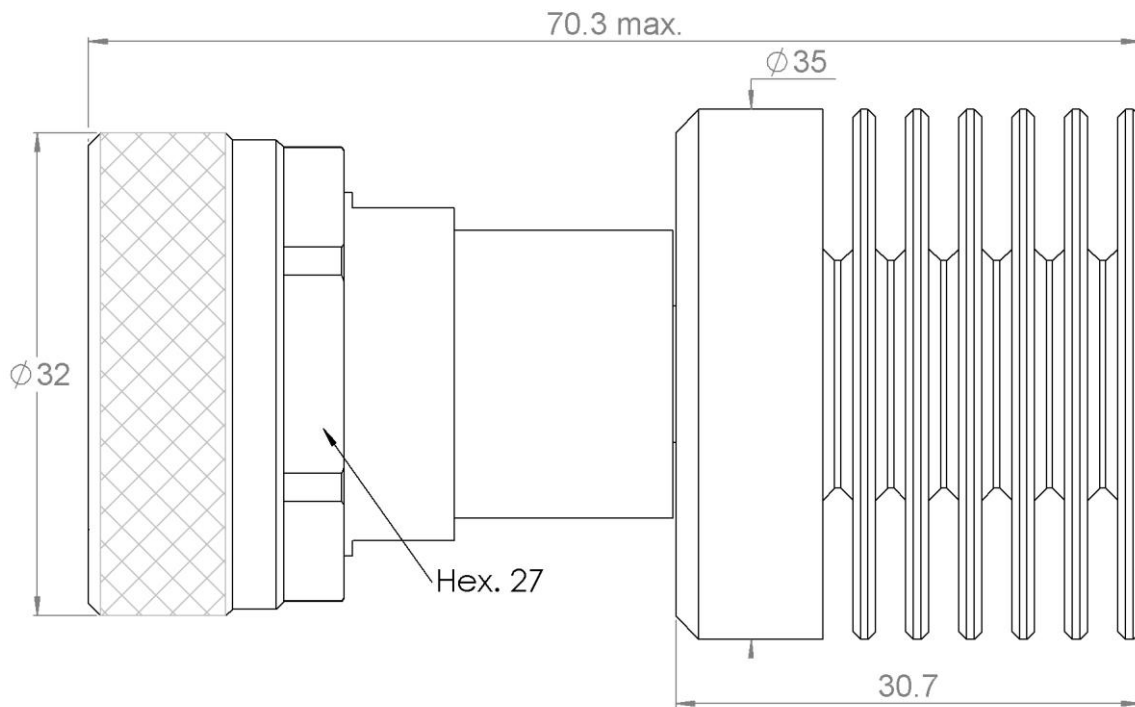
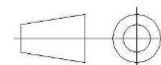


PAGE 1/2	ISSUE 15-04-22C	SERIES TERMINATION	PART NUMBER <b>R404564000</b>
----------	--------------------	-----------------------	-------------------------------



All dimensions are in mm. Tolerances according ISO 2768 c-K



COMPONENTS	MATERIALS	PLATING ( $\mu\text{m}$ )
Body	<b>BRASS</b>	<b>BBR 0.5 OVER SILVER 3</b>
Center contact	<b>BRASS</b>	<b>BBR 0.5 OVER SILVER 3</b>
Outer contact	<b>BRASS</b>	<b>SILVER 5 OVER COPPER 0.5</b>
Insulator	<b>PTFE</b>	
Gasket	<b>SILICONE RUBBER</b>	
Substrate	<b>ALUMINA</b>	
Resistor	<b>THICK FILM</b>	
Others parts	<b>ALUMINIUM</b>	<b>BLACK ANODIZATION</b>

PAGE 2/2	ISSUE <b>15-04-22C</b>	SERIES <b>TERMINATION</b>	PART NUMBER <b>R404564000</b>
----------	---------------------------	------------------------------	-------------------------------

### ELECTRICAL CHARACTERISTICS

Frequency (GHz)	<b>DC - 2</b>	<b>2 - 4</b>
V.S.W.R ( $\leq$ )	<b>1.10</b>	<b>1.20</b>

Operating Frequency Range	<b>DC - 4</b>	GHz
Impedance	<b>50</b>	$\Omega$
DC Resistance	<b>50</b>	$\Omega \pm 5\%$
Peak power at 25°C (1 $\mu$ s, 1%)	<b>1500</b>	W
Average power at 25°C	<b>12</b>	W (Free Air Cooled)
		W (Conduction Cooled)

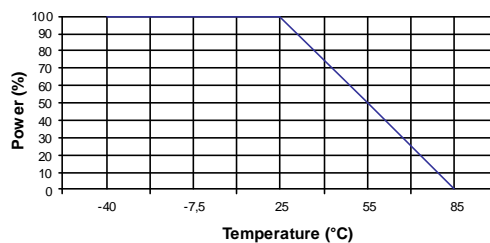
### MECHANICAL CHARACTERISTICS

Connectors	<b>7/16</b>	<b>Male</b>	<b>IEC 169-4</b>
Weight ( $\pm 15\%$ )	<b>168,4700</b> g		

### ENVIRONMENTAL CHARACTERISTICS

Operating temperature range	<b>-40/+85</b>	$^{\circ}\text{C}$
Storage temperature range	<b>-40/+85</b>	$^{\circ}\text{C}$

Power derating Versus temperature



### SPECIFICATION

### OTHER CHARACTERISTICS